

SECTION 5 PARTS LIST

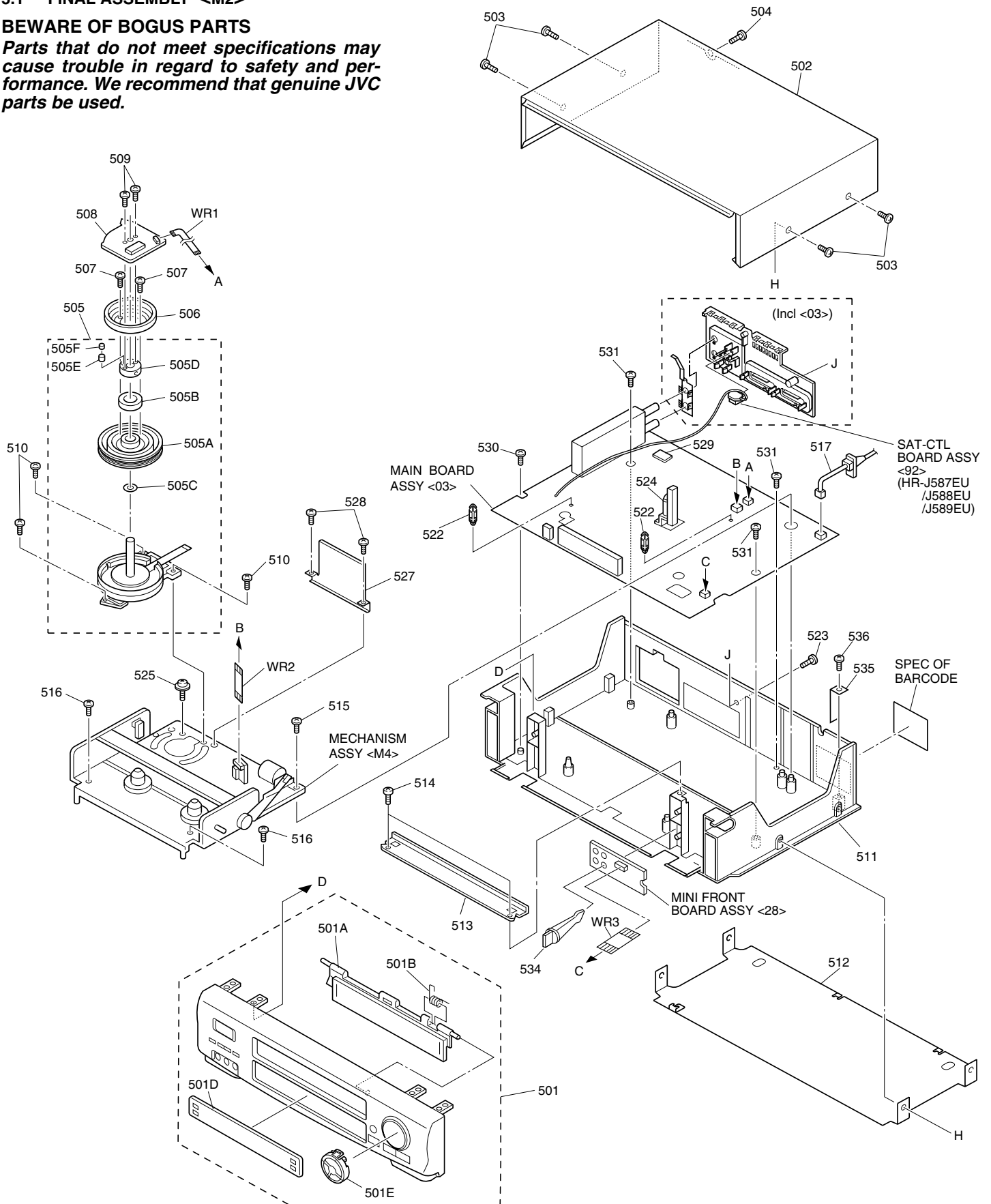
SAFETY PRECAUTION

Parts identified by the \triangle symbol are critical for safety. Replace only with specified part numbers.

5.1 FINAL ASSEMBLY <M2>

BEWARE OF BOGUS PARTS

Parts that do not meet specifications may cause trouble in regard to safety and performance. We recommend that genuine JVC parts be used.



#	△ REF No.	PART No.	PART NAME, DESCRIPTION

FINAL ASSEMBLY <M2>

△	501	LP10293-025B	FRONT PANEL ASSY,J580EU
△		LP10293-026C	FRONT PANEL ASSY,J588EU
△		LP10293-027B	FRONT PANEL ASSY,J589EU
△		LP10293-028B	FRONT PANEL ASSY,J580EK
△		LP10293-036A	FRONT PANEL ASSY,J587EU
△		LP10293-037A	FRONT PANEL ASSY,J581EU
	501A	LP20868-031A	CASSETTE DOOR,J580EK/EU,J587EU
		LP20868-032A	CASSETTE DOOR,J581EU/J588EU
		LP20868-036A	CASSETTE DOOR,J589EU
	501B	PQ46448	TORSION SPRING
	501D	LP20869-081B	DISPLAY WINDOW,J580EU
		LP20869-082B	DISPLAY WINDOW,J588EU
		LP20869-083B	DISPLAY WINDOW,J589EU
		LP20869-084B	DISPLAY WINDOW,J580EK
		LP20869-096A	DISPLAY WINDOW,J587EU
		LP20869-097A	DISPLAY WINDOW,J581EU
	501E	LP30649-002A	ORNAMENT,J581EU/J588EU/J589EU
		LP30649-005A	ORNAMENT,J580EK/EU,J587EU
△	502	PQ11898-50-23	TOP COVER,J581EU/J588EU/J589EU
△		PQ11898-52-23	TOP COVER,J580EK/EU,J587EU
	503	QYTDSF3010R	SCREW,X4 TOP COVER(SIDE),J580EK/EU,J587EU
		QYTDSF3010M	SCREW,X4 TOP COVER(SIDE),J581EU/J588EU/J589EU
	504	QYTDSF3010M	SCREW,TOP COVER(REAR)
	505	LP20981-002A	DRUM SUB ASSY
	505A	LP20982-002A	UPPER DRUM ASSY
	505B	PDM4439	CAP
	505C	PDM4444-19-2	WASHER
	505D	LP40572-001A	COLLAR ASSY
	505E	LP40323-001A	CONTACT
	505F	LP30004-014A	COMPRESSION SPRING
	506	PDZ0179-1-4	ROTOR ASSY
	507	QYSPSP3006Z	SCREW,X2
△	508	QAR0169-002	STATOR ASSY
	509	QYSPSPH2606Z	SCREW,X2
	510	QYTDST2610Z	SCREW,X3,DRUM
△	511	LP21026-001B	BOTTOM CHASSIS
△	512	PQ11899-3-7	BOTTOM COVER
	513	LP30312-001B	BRACKET(CHASSIS)
	514	QYTDSF3010Z	SCREW,X2,BRACKET(CHASSIS)
	515	QYTDSF4012Z	SCREW,MECHA
	516	QYTDSF3010Z	SCREW,X2,MECHA
△	517	QMP4A10-170	POWER CORD,J580EU/J581EU/J587EU/J588EU/J589EU
△		QMP51K0-170-K	POWER CORD,J580EK
	522	LP40226-001A	PC SUPPORT,X2
	523	QYTDSF3010M	SCREW,TERMINAL BOARD
	524	LP40253-001B	STOPPER,MECHA
	525	PQ40413	SPECIAL SCREW,MECHA
	527	LP30356-002C	DRUM SHIELD
	528	QYTDST2606Z	SCREW,X2,DRUM SHIELD
	529	LP30002-042A	SPACER
	530	QYTDSF3010Z	SCREW,MAIN
	531	DPSF3010Z	SCREW,X3,MAIN
	534	LP40628-001B	PC SUPPORT,MINI FRONT
	535	LP40854-001A	BRACKET
	536	QYTDSF3010Z	SCREW,BRACKET
	WR1	QUQ212-0518CG	FFC WIRE,DRUM CN3001
	WR2	WJT0005-001A	E-CARD WIRE,A/C HEAD CN2001

#	△ REF No.	PART No.	PART NAME, DESCRIPTION
	WR3	QUQ112-0914CG	FFC WIRE,FRONT CN7001

5.2 ELECTRICAL PARTS LIST

#	△	REF No.	PART No.	PART NAME, DESCRIPTION	#	△	REF No.	PART No.	PART NAME, DESCRIPTION

MAIN BOARD ASSEMBLY <03>									
PW1			LPA10131-06E1	MAIN BOARD ASSY,J587EU/J588EU/J589EU				or PDTC144WU	TRANSISTOR
			LPA10131-08E1	MAIN BOARD ASSY,J580EK				or RN1309	TRANSISTOR
			LPA10131-10F1	MAIN BOARD ASSY,J580EU/J581EU				or UN521E	TRANSISTOR
IC1			JCP8050-NVA	IC	Q2054		2SA1576A/QR/-X	TRANSISTOR	
IC201			LC74775-9750	IC,J587EU/J588EU/J589EU			or 2PA1576/R/-X	TRANSISTOR	
			LC74788N-9751	IC (OSD),J580EK/EU,J581EU			or 2SB1218A/QR/-X	TRANSISTOR	
IC3001			HD6432194SXD01F	IC (MCU),J580EK	Q2055		DTC144WU	TRANSISTOR	
			HD6432194SXD14F	IC (MCU),J580EU/J587EU/J588EU/J589EU			or PDTC144WU	TRANSISTOR	
IC3002			IC-PST3427U-X	IC			or RN1309	TRANSISTOR	
IC3003			AT24C08N-10SC-X	IC,J580EU/J581EU			or UN521E	TRANSISTOR	
			AT24C16N-10SC-X	IC,J580EK/J587EU/J588EU/J589EU	Q2251		DTA144WU	TRANSISTOR	
			or BR24C08F	IC,J580EU/J581EU			or PDTA144WU	TRANSISTOR	
			or BR24C16F	IC,J580EK/J587EU/J588EU/J589EU			or RN2309	TRANSISTOR	
			or X24C08S	IC,J580EU/J581EU			or UN511E	TRANSISTOR	
			or X24C16S	IC,J580EK/J587EU/J588EU/J589EU	Q2252		DTC114EU	TRANSISTOR	
			or 24LC08B/SN-X	IC,J580EU/J581EU			or PDTC114EU	TRANSISTOR	
			or 24LC16B/SN-X	IC,J580EK/J587EU/J588EU/J589EU			or RN1302	TRANSISTOR	
IC3004			BA6956AN	IC			or UN5211	TRANSISTOR	
IC5301			L5431	IC	Q3001		2SD1819A/QRS/-X	TRANSISTOR	
			or MM1431AT	IC			or 2PC4081/R/-X	TRANSISTOR	
IC6701			MSP3417D	IC			or 2SC4081/QRS/-X	TRANSISTOR	
			or MSP3417DG3	IC	Q3003		PTZ-NV16	PHOTO TRANSISTOR	
IC7001			PT6956	IC			or PTZ-NV16A	PHOTO TRANSISTOR	
IC7002			GP1U291Q	IR DETECT UNIT	Q3004		2SD1819A/QRS/-X	TRANSISTOR	
			or PIC-28143LJ	IR DETECT UNIT			or 2SC4081/QRS/-X	TRANSISTOR	
			or PIC-37143LJ	IR DETECT UNIT			or 2PC4081/R/-X	TRANSISTOR	
			or PNA4652M00YC	IR DETECT UNIT	Q3005		2SD1819A/QRS/-X	TRANSISTOR	
IC7101			MM1443XJ	IC,J587EU/J588EU/J589EU			or 2SC4081/QRS/-X	TRANSISTOR	
Q1			2SC4081/S/-X	TRANSISTOR			or 2PC4081/R/-X	TRANSISTOR	
Q2			2SC4081/S/-X	TRANSISTOR	Q3007		UN521E	TRANSISTOR	
Q3			2SC4081/S/-X	TRANSISTOR			or RN1309	TRANSISTOR	
Q4			2SC4081/S/-X	TRANSISTOR			or DTC144WU	TRANSISTOR	
Q23			2SA1576A/QR/-X	TRANSISTOR			or PDTC144WU	TRANSISTOR	
			or 2PA1576/R/-X	TRANSISTOR	Q4001		UN5211	TRANSISTOR	
Q38			2SC4081/QRS/-X	TRANSISTOR			or DTC114EU	TRANSISTOR	
Q41			UN521E	TRANSISTOR,J580EU/J581EU/J587EU/J588EU/J589EU			or PDTC114EU	TRANSISTOR	
			or RN1309	TRANSISTOR,J580EU/J581EU/J587EU/J588EU/J589EU			or RN1302	TRANSISTOR	
			or DTC144WU	TRANSISTOR,J580EU/J581EU/J587EU/J588EU/J589EU	Q5101		2SK2632-CB14	POWER MOS FET	
Q201			2SC4081/QRS/-X	TRANSISTOR			or 2SK2129	POWER MOS FET	
			or 2PC4081/R/-X	TRANSISTOR			or 2SK2129-LT	POWER MOS FET	
Q2001			2SC4081/QRS/-X	TRANSISTOR			or 2SK2632	POWER MOS FET	
			or 2SD1819A/QRS/-X	TRANSISTOR	Q5102		2SD2144S/UV/-T	TRANSISTOR	
			or 2PC4081/R/-X	TRANSISTOR	Q5302		2SD2375/QP/	TRANSISTOR	
Q2002			2SC4081/QRS/-X	TRANSISTOR	Q5303		2SD1819A/RS/-X	TRANSISTOR	
			or 2PC4081/R/-X	TRANSISTOR			or 2PC4081/R/-X	TRANSISTOR	
			or 2SD1819A/QRS/-X	TRANSISTOR			or 2SC4081/RS/-X	TRANSISTOR	
Q2003			DTA144WU	TRANSISTOR	Q5304		2SC3616/ML/-T	TRANSISTOR	
			or PDTA144WU	TRANSISTOR	Q5305		DTA114EU	TRANSISTOR	
			or RN2309	TRANSISTOR			or PDTA114EU	TRANSISTOR	
			or UN511E	TRANSISTOR			or RN2302	TRANSISTOR	
Q2051			2SC4081/QRS/-X	TRANSISTOR			or UN5111	TRANSISTOR	
			or 2PC4081/R/-X	TRANSISTOR	Q5306		DTC114EU	TRANSISTOR	
			or 2SD1819A/QRS/-X	TRANSISTOR			or PDTC114EU	TRANSISTOR	
Q2052			2SA1576A/QR/-X	TRANSISTOR			or UN5211	TRANSISTOR	
			or 2SB1218A/QR/-X	TRANSISTOR			or RN1302	TRANSISTOR	
			or 2PA1576/R/-X	TRANSISTOR	Q5308		2SA1576A/RS/-X	TRANSISTOR	
Q2053			DTC144WU	TRANSISTOR	Q6030		2SB1218A/RS/-X	TRANSISTOR	
					Q6031		DTC114EU	TRANSISTOR	
							or PDTC114EU	TRANSISTOR	
							or UN5211	TRANSISTOR	
							or RN1302	TRANSISTOR	

#	△ REF No.	PART No.	PART NAME, DESCRIPTION
Q6032		DTC114EU	TRANSISTOR
		or PDTC114EU	TRANSISTOR
		or RN1302	TRANSISTOR
		or UN5211	TRANSISTOR
Q7001		DTA143TU	TRANSISTOR
Q7002		DTA143TU	TRANSISTOR
Q7003		DTA143TU	TRANSISTOR
Q7004		DTA143TU	TRANSISTOR
Q7005		DTA143TU	TRANSISTOR
Q7101		2SB1218A/QRS/-X	TRANSISTOR
		or 2PA1576/R/-X	TRANSISTOR
		or 2SA1576A/QRS/-X	TRANSISTOR
Q7102		DTC144WU	TRANSISTOR
		or PDTC144WU	TRANSISTOR
		or RN1309	TRANSISTOR
		or UN521E	TRANSISTOR
Q7105		2SA1576A/QRS/-X	TRANSISTOR,J580EK/EU,J581EU
		or 2PA1576/R/-X	TRANSISTOR,J580EK/EU,J581EU
Q7106		2SA1576A/QRS/-X	TRANSISTOR,J587EU/J588EU/J589EU
		or 2PA1576/R/-X	TRANSISTOR,J587EU/J588EU/J589EU
Q7107		DTA144WU	TRANSISTOR,J587EU/J588EU/J589EU
		or PDTA144WU	TRANSISTOR,J587EU/J588EU/J589EU
		or RN2309	TRANSISTOR,J587EU/J588EU/J589EU
		or UN511E	TRANSISTOR,J587EU/J588EU/J589EU
Q7108		DTC144WU	TRANSISTOR,J587EU/J588EU/J589EU
		or RN1309	TRANSISTOR,J587EU/J588EU/J589EU
		or UN521E	TRANSISTOR,J587EU/J588EU/J589EU
		or PDTC144WU	TRANSISTOR,J587EU/J588EU/J589EU
Q7109		2SC4081/QRS/-X	TRANSISTOR,J587EU/J588EU/J589EU
		or 2PC4081/R/-X	TRANSISTOR,J587EU/J588EU/J589EU
		or 2SD1819A/QRS/-X	TRANSISTOR,J587EU/J588EU/J589EU
Q7110		2SC4081/QRS/-X	TRANSISTOR,J587EU/J588EU/J589EU
		or 2PC4081/R/-X	TRANSISTOR,J587EU/J588EU/J589EU
		or 2SD1819A/QRS/-X	TRANSISTOR,J587EU/J588EU/J589EU
Q7201		2SC1317/RS/-T	TRANSISTOR,J587EU/J588EU/J589EU
D6		MTZJ5.6C	ZENER DIODE
		or RD5.6ES/B3/-T2	ZENER DIODE
D201		QRE141J-101Y	RESISTOR,J587EU/J588EU/J589EU 100Ω,1/4W
		1SS133	DIODE,J580EK/EU,J581EU
		or 1SS270A	DIODE,J580EK/EU,J581EU
D202		QRE141J-101Y	RESISTOR,J587EU/J588EU/J589EU 100Ω,1/4W
		1SS133	DIODE,J580EK/EU,J581EU
		or 1SS270A	DIODE,J580EK/EU,J581EU
D203		QRE141J-101Y	RESISTOR,J587EU/J588EU/J589EU 100Ω,1/4W
		1SS133	DIODE,J580EK/EU,J581EU
		or 1SS270A	DIODE,J580EK/EU,J581EU
D2101		MTZJ8.2C	ZENER DIODE
D3001		LNB2301L01VI	LE DIODE
D3002		1SS133	DIODE
		or 1SS270A	DIODE
D3003		RD39ES/B3/-T2	ZENER DIODE
		or MTZJ39C	ZENER DIODE
D3004		11ES2	DIODE
		or 1A3G	DIODE
D3005		11ES2	DIODE
		or 1A3G	DIODE
D3008		1SS133	DIODE
D4001		QUY153-050Y	IM BUS WIRE
D4002		QUY153-050Y	IM BUS WIRE
D5001		S1WB/A/60-4102	BRIDGE DIODE
		or S1WB/A/60-X	BRIDGE DIODE

#	△ REF No.	PART No.	PART NAME, DESCRIPTION
		or S1WB(A)60F4072X	BRIDGE DIODE
D5101		AU01	FR DIODE
		or ERA18-04-T2	FR DIODE
		or 10ELS4	FR DIODE
		or 1SR153-400-T2	FR DIODE
D5102		AU01	FR DIODE
		or ERA18-04-T2	FR DIODE
		or 10ELS4	FR DIODE
		or 1SR153-400-T2	FR DIODE
D5103		1SS133	DIODE
		or 1SS270A	DIODE
D5105		1SS133	DIODE
		or 1SS270A	DIODE
D5203		AU01Z	FR DIODE
		or 10ELS2	FR DIODE
D5204		AU01Z	FR DIODE
		or 10ELS2	FR DIODE
D5208		RK14LF-B2	BARRIER DIODE
		or SB240-F26	SB DIODE
		or 21DQ04	BARRIER DIODE
D5210		AU01Z	FR DIODE
		or ERA18-02-T2	FR DIODE
		or PG104RS	FR DIODE
		or 10ELS2	FR DIODE
		or 1SR153-400-T2	FR DIODE
D5301		MTZJ15C	ZENER DIODE
		or RD15ES/B3/-T2	ZENER DIODE
D5302		1SS133	DIODE
		or 1SS270A	DIODE
D5303		RD5.1JS/B2/-T2	ZENER DIODE
		or MA4051N/M/-T2	ZENER DIODE
D5304		1SS133	DIODE
		or 1SS270A	DIODE
D5305		AK04	DIODE
		or 1S4	SB DIODE
		or 11EQS04	SB DIODE
D5307		QUY160-100Y	IM BUS WIRE
D5308		MTZJ11C	ZENER DIODE
		or RD11ES/B3/-T2	ZENER DIODE
D5316		QUY160-100Y	IM BUS WIRE
D6002		HZ30-2L-T2	ZENER DIODE
		or HZ30-2LTD	Z DIODE (M)
D6701		1SS133	DIODE
D7101		1SS133	DIODE
D7102		1SS133	DIODE
D7103		QUY160-100Y	IM BUS WIRE
D7105		MTZJ12C	ZENER DIODE,J587EU/J588EU/J589EU
		or RD12ES/B3/-T2	ZENER DIODE,J587EU/J588EU/J589EU
D7106		MTZJ12C	ZENER DIODE
R1		NRSA02J-682X	MG RESISTOR 6.8kΩ,1/10W
R2		NRSA02J-152X	MG RESISTOR 1.5kΩ,1/10W
R3		NRSA02J-822X	MG RESISTOR 8.2kΩ,1/10W
R5		NRSA02J-0R0X	MG RESISTOR 0Ω,1/10W
R6		NRSA02J-273X	MG RESISTOR 27kΩ,1/10W
R7		NRSA02J-681X	MG RESISTOR 680Ω,1/10W
R8		QRE141J-101Y	RESISTOR 100Ω,1/4W
R9		QRE141J-101Y	RESISTOR 100Ω,1/4W
R12		QRE141J-101Y	RESISTOR 100Ω,1/4W
R21		NRSA02J-102X	MG RESISTOR 1kΩ,1/10W
R22		NRSA02J-102X	MG RESISTOR 1kΩ,1/10W
R37		NRSA02J-0R0X	MG RESISTOR 0Ω,1/10W

#	△	REF No.	PART No.	PART NAME, DESCRIPTION	#	△	REF No.	PART No.	PART NAME, DESCRIPTION
R46			NRSA02J-331X	MG RESISTOR 330Ω,1/10W	R3021			NRSA02J-472X	MG RESISTOR 4.7kΩ,1/10W
R50			NRSA02J-102X	MG RESISTOR 1kΩ,1/10W	R3022			NRSA02J-472X	MG RESISTOR 4.7kΩ,1/10W
R77			NRSA02J-103X	MG RESISTOR 10kΩ,1/10W	R3026			NRSA02J-0R0X	MG RESISTOR 0Ω,1/10W
R90			NRSA02J-391X	MG RESISTOR 390Ω,1/10W	R3027			NRSA02J-0R0X	MG RESISTOR 0Ω,1/10W
R92			NRSA02J-152X	MG RESISTOR 1.5kΩ,1/10W	R3028			NRSA02J-0R0X	MG RESISTOR 0Ω,1/10W
R93			NRSA02J-222X	MG RESISTOR 2.2kΩ,1/10W	R3029			QRE141J-472Y	RESISTOR 4.7kΩ,1/4W
R104			NRSA02J-682X	MG RESISTOR 6.8kΩ,1/10W	R3030			NRSA02J-472X	MG RESISTOR 4.7kΩ,1/10W
R202			NRSA02J-103X	MG RESISTOR 10kΩ,1/10W	R3031			NRSA02J-472X	MG RESISTOR 4.7kΩ,1/10W
R203			NRSA02J-103X	MG RESISTOR,J580EK/EU,J581EU 10kΩ,1/10W	R3032			NRSA02J-472X	MG RESISTOR 4.7kΩ,1/10W
R204			NRSA02J-103X	MG RESISTOR,J580EK/EU,J581EU 10kΩ,1/10W	R3033			NRSA02J-0R0X	MG RESISTOR 0Ω,1/10W
R209			NRSA02J-512X	MG RESISTOR,J587EU/J588EU/J589EU 5.1kΩ,1/10W	R3034			QUY160-100Y	IM BUS WIRE
R210			NRSA02J-182X	MG RESISTOR,J587EU/J588EU/J589EU 1.8kΩ,1/10W	R3035			NRSA02J-0R0X	MG RESISTOR 0Ω,1/10W
R211			NRSA02J-562X	MG RESISTOR,J587EU/J588EU/J589EU 5.6kΩ,1/10W	R3036			NRSA02J-0R0X	MG RESISTOR 0Ω,1/10W
R213			NRSA02J-0R0X	MG RESISTOR,J587EU/J588EU/J589EU 0Ω,1/10W	R3037			NRSA02J-0R0X	MG RESISTOR 0Ω,1/10W
			NRSA02J-222X	MG RESISTOR,J580EK/EU,J581EU 2.2kΩ,1/10W	R3038			NRSA02J-0R0X	MG RESISTOR 0Ω,1/10W
R216			NRSA02J-103X	MG RESISTOR 10kΩ,1/10W	R3039			QRE141J-102Y	RESISTOR 1kΩ,1/4W
R220			NRSA02J-0R0X	MG RESISTOR,J580EK/EU,J581EU 0Ω,1/10W	R3041			NRSA02J-472X	MG RESISTOR 4.7kΩ,1/10W
R224			NRSA02J-681X	MG RESISTOR 680Ω,1/10W	R3042			QRE141J-102Y	RESISTOR 1kΩ,1/4W
R225			QUY160-100Y	IM BUS WIRE	R3044			NRSA02J-472X	MG RESISTOR 4.7kΩ,1/10W
R2001			QRE141J-681Y	RESISTOR 680Ω,1/4W	R3046			NRSA02J-0R0X	MG RESISTOR,J580EK/EU,J581EU 0Ω,1/10W
R2002			NRSA02J-272X	MG RESISTOR 2.7kΩ,1/10W	R3047			NRSA02J-0R0X	MG RESISTOR 0Ω,1/10W
R2003			NRSA02J-101X	MG RESISTOR 100Ω,1/10W	R3048			NRSA02J-0R0X	MG RESISTOR 0Ω,1/10W
R2004			NRSA02J-332X	MG RESISTOR 3.3kΩ,1/10W	R3049			NRSA02J-101X	MG RESISTOR 100Ω,1/10W
R2005			NRSA02J-0R0X	MG RESISTOR,J580EK/EU,J581EU 0Ω,1/10W	R3050			NRSA02J-101X	MG RESISTOR 100Ω,1/10W
R2007			NRSA02J-393X	MG RESISTOR 39kΩ,1/10W	R3052			NRSA02J-471X	MG RESISTOR 470Ω,1/10W
R2008			NRSA02J-123X	MG RESISTOR,J580EK/EU,J581EU 12kΩ,1/10W	R3053			NRSA02J-471X	MG RESISTOR 470Ω,1/10W
R2010			NRSA02J-123X	MG RESISTOR 12kΩ,1/10W	R3054			NRSA02J-0R0X	MG RESISTOR 0Ω,1/10W
R2013			NRSA02J-682X	MG RESISTOR 6.8kΩ,1/10W	R3055			NRSA02J-102X	MG RESISTOR 1kΩ,1/10W
R2014			NRSA02J-224X	MG RESISTOR 220kΩ,1/10W	R3058			NRSA02J-102X	MG RESISTOR 1kΩ,1/10W
R2015			NRSA02J-181X	MG RESISTOR 180Ω,1/10W	R3059			NRSA02J-102X	MG RESISTOR 1kΩ,1/10W
R2016			NRSA02J-393X	MG RESISTOR 39kΩ,1/10W	R3060			NRSA02J-102X	MG RESISTOR 1kΩ,1/10W
R2017			NRSA02J-183X	MG RESISTOR 18kΩ,1/10W	R3061			NRSA02J-102X	MG RESISTOR 1kΩ,1/10W
R2018			NRSA02J-472X	MG RESISTOR 4.7kΩ,1/10W	R3062			NRSA02J-103X	MG RESISTOR 10kΩ,1/10W
R2019			NRSA02J-472X	MG RESISTOR 4.7kΩ,1/10W	R3066			NRSA02J-102X	MG RESISTOR 1kΩ,1/10W
R2053			NRSA02J-472X	MG RESISTOR 4.7kΩ,1/10W	R3069			NRSA02J-101X	MG RESISTOR 100Ω,1/10W
R2054			NRSA02J-123X	MG RESISTOR 12kΩ,1/10W	R3071			NRSA02J-103X	MG RESISTOR 10kΩ,1/10W
R2055			NRSA02J-3R3X	MG RESISTOR 3.3Ω,1/10W	R3072			NRSA02J-102X	MG RESISTOR 1kΩ,1/10W
R2056			QRE141J-820Y	RESISTOR 82Ω,1/4W	R3073			NRSA02J-102X	MG RESISTOR 1kΩ,1/10W
R2057			NRSA02J-473X	MG RESISTOR 47kΩ,1/10W	R3074			QRE141J-102Y	RESISTOR,J580EK/EU,J581EU/J587EU/J588EU/J589EU 1kΩ,1/4W
R2058			NRSA02J-183X	MG RESISTOR 18kΩ,1/10W	R3075			NRSA02J-101X	MG RESISTOR 100Ω,1/10W
R2059			NRSA02J-473X	MG RESISTOR 47kΩ,1/10W	R3076			NRSA02J-101X	MG RESISTOR 100Ω,1/10W
R2060			NRSA02J-183X	MG RESISTOR 18kΩ,1/10W	R3077			NRSA02J-0R0X	MG RESISTOR 0Ω,1/10W
R2201			QRE141J-151Y	RESISTOR 150Ω,1/4W	R3078			NRSA02J-0R0X	MG RESISTOR 0Ω,1/10W
R2206			NRSA02J-101X	MG RESISTOR 100Ω,1/10W	R3079			NRSA02J-102X	MG RESISTOR,J580EK/EU,J581EU 1kΩ,1/10W
R2207			NRSA02J-332X	MG RESISTOR 3.3kΩ,1/10W	R3081			NRSA02J-102X	MG RESISTOR 1kΩ,1/10W
R2217			NRSA02J-0R0X	MG RESISTOR,J580EK/EU,J581EU 0Ω,1/10W	R3085			NRSA02J-102X	MG RESISTOR 1kΩ,1/10W
R2219			NRSA02J-393X	MG RESISTOR 39kΩ,1/10W	R3086			NRSA02J-102X	MG RESISTOR 1kΩ,1/10W
R2222			NRSA02J-123X	MG RESISTOR,J580EK/EU,J581EU 12kΩ,1/10W	R3087			NRSA02J-0R0X	MG RESISTOR 0Ω,1/10W
R2224			QRE141J-123Y	RESISTOR 12kΩ,1/4W	R3088			QUY160-100Y	IM BUS WIRE
R2226			NRSA02J-123X	MG RESISTOR 12kΩ,1/10W	R3089			NRSA02J-0R0X	MG RESISTOR,J587EU/J588EU/J589EU 0Ω,1/10W
R2227			QRE141J-123Y	RESISTOR 12kΩ,1/4W	R3090			QRE141J-102Y	RESISTOR,J587EU/J588EU/J589EU 1kΩ,1/4W
R2228			NRSA02J-103X	MG RESISTOR 10kΩ,1/10W	R3093			QUY160-100Y	IM BUS WIRE
R2229			NRSA02J-563X	MG RESISTOR 56kΩ,1/10W	R3104			NRSA02J-0R0X	MG RESISTOR 0Ω,1/10W
R2251			NRSA02J-471X	MG RESISTOR 470Ω,1/10W	R3105			NRSA02J-0R0X	MG RESISTOR 0Ω,1/10W
R3013			NRSA02J-472X	MG RESISTOR 4.7kΩ,1/10W	R3201			NRSA02J-103X	MG RESISTOR 10kΩ,1/10W
R3014			NRSA02J-472X	MG RESISTOR 4.7kΩ,1/10W	R3202			NRSA02J-472X	MG RESISTOR 4.7kΩ,1/10W
R3015			NRSA02J-472X	MG RESISTOR 4.7kΩ,1/10W	R3203			NRSA02J-103X	MG RESISTOR 10kΩ,1/10W
R3016			NRSA02J-102X	MG RESISTOR 1kΩ,1/10W	R3204			NRSA02J-222X	MG RESISTOR 2.2kΩ,1/10W
R3018			NRSA02J-102X	MG RESISTOR 1kΩ,1/10W	R3205			QRE141J-181Y	RESISTOR 180Ω,1/4W
R3019			NRSA02J-682X	MG RESISTOR,J587EU/J588EU/J589EU 6.8kΩ,1/10W	R3207			NRSA02J-183X	MG RESISTOR 18kΩ,1/10W
R3020			NRSA02J-472X	MG RESISTOR 4.7kΩ,1/10W	R3208			QRE141J-181Y	RESISTOR 180Ω,1/4W

#	△ REF No.	PART No.	PART NAME, DESCRIPTION	#	△ REF No.	PART No.	PART NAME, DESCRIPTION
R3209		QRE141J-273Y	RESISTOR 27kΩ,1/4W	R5309		NRSA02J-103X	MG RESISTOR 10kΩ,1/10W
R3210		NRSA02J-181X	MG RESISTOR 180Ω,1/10W	R5310		NRSA02J-471X	MG RESISTOR 470Ω,1/10W
R3211		NRSA02J-273X	MG RESISTOR 27kΩ,1/10W	R5311		NRSA02J-473X	MG RESISTOR 47kΩ,1/10W
R3212		NRSA02J-474X	MG RESISTOR 470kΩ,1/10W	R5312		QRE141J-332Y	RESISTOR 3.3kΩ,1/4W
R3213		NRSA02J-334X	MG RESISTOR 330kΩ,1/10W	R5313		NRSA02D-332X	MG RESISTOR 3.3kΩ,1/10W
R3214		NRSA02J-103X	MG RESISTOR 10kΩ,1/10W	R5314		NRSA02J-102X	MG RESISTOR 1kΩ,1/10W
R3215		NRSA02J-103X	MG RESISTOR 10kΩ,1/10W	R5316		NRSA02D-123X	MG RESISTOR 12kΩ,1/10W
R3216		NRSA02J-103X	MG RESISTOR 10kΩ,1/10W	R5317		NRSA02J-473X	MG RESISTOR 47kΩ,1/10W
R3217		NRSA02J-562X	MG RESISTOR 5.6kΩ,1/10W	R5320		NRSA02J-273X	MG RESISTOR 27kΩ,1/10W
R3218		QRE141J-472Y	RESISTOR 4.7kΩ,1/4W	R5321		QRE141J-273Y	RESISTOR 27kΩ,1/4W
R3219		NRSA02J-472X	MG RESISTOR 4.7kΩ,1/10W	R6020		NRSA02J-102X	MG RESISTOR 1kΩ,1/10W
R3220		NRSA02J-104X	MG RESISTOR 100kΩ,1/10W	R6021		NRSA02J-102X	MG RESISTOR 1kΩ,1/10W
R3222		NRSA02J-103X	MG RESISTOR 10kΩ,1/10W	R6030		NRSA02J-102X	MG RESISTOR 1kΩ,1/10W
R3223		NRSA02J-152X	MG RESISTOR 1.5kΩ,1/10W	R6031		NRSA02J-271X	MG RESISTOR 270Ω,1/10W
R3224		NRSA02J-152X	MG RESISTOR 1.5kΩ,1/10W	R6032		NRSA02J-472X	MG RESISTOR 4.7kΩ,1/10W
R3225		NRSA02J-103X	MG RESISTOR 10kΩ,1/10W	R6033		NRSA02J-182X	MG RESISTOR 1.8kΩ,1/10W
R3226		NRSA02J-103X	MG RESISTOR 10kΩ,1/10W	R6050		QRE141J-101Y	RESISTOR 100Ω,1/4W
R3227		NRSA02J-103X	MG RESISTOR 10kΩ,1/10W	R6051		NRSA02J-101X	MG RESISTOR 100Ω,1/10W
R3229		NRSA02J-105X	MG RESISTOR 1MΩ,1/10W	R6052		NRSA02J-101X	MG RESISTOR 100Ω,1/10W
R3230		NRSA02J-472X	MG RESISTOR 4.7kΩ,1/10W	R6056		QRE141J-101	RESISTOR,J580EK/EU,J581EU 100Ω,1/4W
R3231		NRSA02J-102X	MG RESISTOR 1kΩ,1/10W	R6702		NRSA02J-182X	MG RESISTOR 1.8kΩ,1/10W
R3232		NRSA02J-472X	MG RESISTOR 4.7kΩ,1/10W	R6707		NRSA02J-330X	MG RESISTOR 33Ω,1/10W
R3234		QRE141J-103Y	RESISTOR 10kΩ,1/4W	R6708		QUY153-050Y	IM BUS WIRE
R3235		NRSA02J-332X	MG RESISTOR 3.3kΩ,1/10W	R6709		QUY153-050Y	IM BUS WIRE
R3236		NRSA02J-332X	MG RESISTOR 3.3kΩ,1/10W	R6710		NRSA02J-0R0X	MG RESISTOR 0Ω,1/10W
R3240		NRSA02J-105X	MG RESISTOR 1MΩ,1/10W	R6711		NRSA02J-684X	MG RESISTOR 680kΩ,1/10W
R4003		NRSA02J-561X	MG RESISTOR 560Ω,1/10W	R6712		NRSA02J-102X	MG RESISTOR 1kΩ,1/10W
R4004		NRSA02J-561X	MG RESISTOR 560Ω,1/10W	R6713		NRSA02J-123X	MG RESISTOR,J587EU/J588EU/J589EU 12kΩ,1/10W
R4005		NRSA02J-562X	MG RESISTOR 5.6kΩ,1/10W	R6714		NRSA02J-102X	MG RESISTOR 1kΩ,1/10W
R4007		QRE141J-102Y	RESISTOR 1kΩ,1/4W	R6715		NRSA02J-123X	MG RESISTOR,J587EU/J588EU/J589EU 12kΩ,1/10W
R4008		NRSA02J-0R0X	MG RESISTOR 0Ω,1/10W	R6716		NRSA02J-470X	MG RESISTOR 47Ω,1/10W
R4009		NRSA02J-102X	MG RESISTOR 1kΩ,1/10W	R6719		NRSA02J-103X	MG RESISTOR 10kΩ,1/10W
R4010		NRSA02J-102X	MG RESISTOR 1kΩ,1/10W	R6720		NRSA02J-562X	MG RESISTOR 5.6kΩ,1/10W
R4011		NRSA02J-472X	MG RESISTOR 4.7kΩ,1/10W	R6721		NRSA02J-562X	MG RESISTOR 5.6kΩ,1/10W
R4012		NRSA02J-222X	MG RESISTOR 2.2kΩ,1/10W	R7001		NRSA02J-331X	MG RESISTOR 330Ω,1/10W
R4013		NRSA02J-102X	MG RESISTOR 1kΩ,1/10W	R7015		NRSA02J-0R0X	MG RESISTOR 0Ω,1/10W
R4014		NRSA02J-0R0X	MG RESISTOR 0Ω,1/10W	R7020		NRSA02J-103X	MG RESISTOR 10kΩ,1/10W
R4015		NRSA02J-562X	MG RESISTOR 5.6kΩ,1/10W	R7021		NRSA02J-122X	MG RESISTOR 1.2kΩ,1/10W
R4017		NRSA02J-102X	MG RESISTOR 1kΩ,1/10W	R7022		NRSA02J-182X	MG RESISTOR 1.8kΩ,1/10W
R4018		NRSA02J-102X	MG RESISTOR 1kΩ,1/10W	R7023		NRSA02J-222X	MG RESISTOR 2.2kΩ,1/10W
R4019		NRSA02J-103X	MG RESISTOR 10kΩ,1/10W	R7024		NRSA02J-272X	MG RESISTOR 2.7kΩ,1/10W
R4020		QRE141J-103Y	RESISTOR 10kΩ,1/4W	R7030		NRSA02J-103X	MG RESISTOR 10kΩ,1/10W
R4021		NRSA02J-103X	MG RESISTOR 10kΩ,1/10W	R7031		NRSA02J-122X	MG RESISTOR 1.2kΩ,1/10W
R5101		QRE141J-334Y	RESISTOR 330kΩ,1/4W	R7032		NRSA02J-182X	MG RESISTOR 1.8kΩ,1/10W
R5102		QRE141J-334Y	RESISTOR 330kΩ,1/4W	R7033		NRSA02J-222X	MG RESISTOR 2.2kΩ,1/10W
R5103		QRE141J-683Y	RESISTOR 68kΩ,1/4W	R7034		NRSA02J-0R0X	MG RESISTOR 0Ω,1/10W
R5104		QRT02GJ-683	OMF RESISTOR 68kΩ,2W	R7037		NRSA02J-563X	MG RESISTOR 56kΩ,1/10W
R5106		QRT01DJ-R39X	MF RESISTOR 0.39Ω,1W	R7101		NRSA63J-473X	MG RESISTOR 47kΩ,1/16W
R5107		QRE121J-331Y	RESISTOR 330Ω,1/2W	R7102		NRSA63J-102X	MG RESISTOR 1kΩ,1/16W
R5108		NRSA02J-152X	MG RESISTOR 1.5kΩ,1/10W	R7103		NRSA02J-750X	MG RESISTOR 75Ω,1/10W
R5109		QRE141J-681Y	RESISTOR 680Ω,1/4W	R7105		NRSA02J-331X	MG RESISTOR 330Ω,1/10W
R5110		NRSA02J-224X	MG RESISTOR 220kΩ,1/10W	R7107		NRSA02J-331X	MG RESISTOR 330Ω,1/10W
R5111		NRSA02J-681X	MG RESISTOR 680Ω,1/10W	R7108		QRE141J-750Y	RESISTOR,J587EU/J588EU/J589EU 75Ω,1/4W
R5112		NRSA02J-221X	MG RESISTOR 220Ω,1/10W	R7110		NRSA02J-221X	MG RESISTOR 220Ω,1/10W
R5301		NRSA02J-472X	MG RESISTOR 4.7kΩ,1/10W	R7111		NRSA02J-221X	MG RESISTOR 220Ω,1/10W
R5302		NRSA02J-102X	MG RESISTOR 1kΩ,1/10W	R7112		NRSA02J-331X	MG RESISTOR 330Ω,1/10W
R5303		NRSA02J-122X	MG RESISTOR 1.2kΩ,1/10W	R7113		NRSA02J-750X	MG RESISTOR 75Ω,1/10W
R5304		NRSA02J-471X	MG RESISTOR 470Ω,1/10W	R7114		NRSA02J-221X	MG RESISTOR 220Ω,1/10W
R5305		NRSA02J-102X	MG RESISTOR 1kΩ,1/10W	R7116		NRSA02J-221X	MG RESISTOR 220Ω,1/10W
R5306		NRSA02J-471X	MG RESISTOR 470Ω,1/10W	R7117		QRE141J-750Y	RESISTOR 75Ω,1/4W
R5308		NRSA02J-471X	MG RESISTOR 470Ω,1/10W	R7119		NQL402M-4R7X	COIL 4.7μH

#	△	REF No.	PART No.	PART NAME, DESCRIPTION	#	△	REF No.	PART No.	PART NAME, DESCRIPTION
R7120			NQL402M-4R7X	COIL 4.7μH	C12			NDC21HJ-470X	CAPACITOR 47pF,50V
R7122			NRSA02J-331X	MG RESISTOR 330Ω,1/10W	C14			NCB21EK-104X	CAPACITOR 0.1μF,25V
R7124			NRSA02J-331X	MG RESISTOR 330Ω,1/10W	C15			NCB21HK-103X	CAPACITOR 0.01μF,50V
R7131			NRSA02J-0R0X	MG RESISTOR,J580EK/EU,J581EU 0Ω,1/10W	C16			NCB21EK-104X	CAPACITOR 0.1μF,25V
			NRSA02J-331X	MG RESISTOR,J587EU/J588EU/J589EU 330Ω,1/10W	C17			QEKJ1HM-335	E CAPACITOR 3.3μF,50V
R7132			QRE123J-331X	RESISTOR,J580EK/EU,J581EU 330Ω,1/2W	C18			QEKJ1HM-105	E CAPACITOR,J580EK/EU,J581EU 1μF,50V
R7133			QRE141J-471Y	RESISTOR,J587EU/J588EU/J589EU 470Ω,1/4W	C19			QEKJ1HM-225	E CAPACITOR 2.2μF,50V
R7134			NRSA02J-471X	MG RESISTOR,J587EU/J588EU/J589EU 470Ω,1/10W	C20			QEJF1HM-105	NP E CAPACITOR 1μF,50V
R7135			NQR0148-002X	FERRITE BEAD,J587EU/J588EU/J589EU	C21			NCB21EK-104X	CAPACITOR 0.1μF,25V
R7136			NQR0148-002X	FERRITE BEAD,J587EU/J588EU/J589EU	C22			QEKJ0JM-476	E CAPACITOR 47μF,6.3V
R7137			NRSA02J-102X	MG RESISTOR,J587EU/J588EU/J589EU 1kΩ,1/10W	C23			NCB21EK-104X	CAPACITOR 0.1μF,25V
R7139			QRE141J-101Y	RESISTOR,J587EU/J588EU/J589EU 100Ω,1/4W	C24			NCB21EK-104X	CAPACITOR 0.1μF,25V
R7140			NRSA02J-101X	MG RESISTOR,J587EU/J588EU/J589EU 100Ω,1/10W	C25			NDC21HJ-6R0X	CAPACITOR 6pF,50V
R7142			NRSA02J-681X	MG RESISTOR,J587EU/J588EU/J589EU 680Ω,1/10W	C27			NCB21EK-223X	CAPACITOR 0.022μF,25V
R7144			NRSA02J-681X	MG RESISTOR,J587EU/J588EU/J589EU 680Ω,1/10W	C28			QEKJ1HM-335	E CAPACITOR 3.3μF,50V
R7146			NRSA02J-102X	MG RESISTOR,J587EU/J588EU/J589EU 1kΩ,1/10W	C29			NCB21EK-333X	CAPACITOR 0.033μF,25V
R7147			NRSA02J-222X	MG RESISTOR,J587EU/J588EU/J589EU 2.2kΩ,1/10W	C30			QEKJ1HM-474	E CAPACITOR 0.47μF,50V
R7148			NRSA02J-222X	MG RESISTOR,J587EU/J588EU/J589EU 2.2kΩ,1/10W	C31			QEKJ0JM-476	E CAPACITOR 47μF,6.3V
R7149			NRSA02J-101X	MG RESISTOR,J587EU/J588EU/J589EU 100Ω,1/10W	C32			NCB21EK-104X	CAPACITOR 0.1μF,25V
R7150			NRSA02J-101X	MG RESISTOR,J587EU/J588EU/J589EU 100Ω,1/10W	C33			QEKJ1HM-225	E CAPACITOR 2.2μF,50V
R7166			NRSA02J-101X	MG RESISTOR 100Ω,1/10W	C34			NCB21CK-224X	CAPACITOR 0.22μF,16V
R7202			QRE141J-221Y	RESISTOR,J587EU/J588EU/J589EU 220Ω,1/4W	C35			NCB21HK-103X	CAPACITOR 0.01μF,50V
R7203			NRSA02J-472X	MG RESISTOR,J587EU/J588EU/J589EU 4.7kΩ,1/10W	C36			QERF1EM-475	E CAPACITOR 4.7μF,25V
R7204			QRE123J-100X	RESISTOR,J587EU/J588EU/J589EU 10Ω,1/2W	C37			QEKJ1HM-105	E CAPACITOR 1μF,50V
R7205			NRSA02J-223X	MG RESISTOR,J587EU/J588EU/J589EU 22kΩ,1/10W	C38			QEKJ0JM-476	E CAPACITOR 47μF,6.3V
R7206			NRSA02J-223X	MG RESISTOR,J587EU/J588EU/J589EU 22kΩ,1/10W	C39			NCB21EK-104X	CAPACITOR 0.1μF,25V
B5			NRSA02J-0R0X	MG RESISTOR 0Ω,1/10W	C40			QEKJ1EM-106	E CAPACITOR 10μF,25V
B24			NRSA02J-0R0X	MG RESISTOR 0Ω,1/10W	C43			NCB21HK-102X	CAPACITOR 0.001μF,50V
B28			NRSA02J-0R0X	MG RESISTOR 0Ω,1/10W	C53			NRSA02J-0R0X	MG RESISTOR 0Ω,1/10W
B35			NRSA02J-0R0X	MG RESISTOR 0Ω,1/10W	C62			NCB21EK-104X	CAPACITOR 0.1μF,25V
B71			NRSA02J-0R0X	MG RESISTOR 0Ω,1/10W	C64			NDC21HJ-220X	CAPACITOR 22pF,50V
B204			NRSA02J-0R0X	MG RESISTOR,J587EU/J588EU/J589EU 0Ω,1/10W	C65			QEKJ1HM-105	E CAPACITOR 1μF,50V
B2051			NRSA02J-0R0X	MG RESISTOR,J587EU/J588EU/J589EU 0Ω,1/10W	C69			NCB21HK-103X	CAPACITOR 0.01μF,50V
			NRSA63J-0R0X	MG RESISTOR,J580EK/EU,J581EU 0Ω,1/16W	C70			NCB21HK-103X	CAPACITOR 0.01μF,50V
B3002			QUY153-050Y	IM BUS WIRE	C81			NCB21HK-103X	CAPACITOR 0.01μF,50V
B3004			NRSA02J-0R0X	MG RESISTOR 0Ω,1/10W	C92			NDC21HJ-330X	CAPACITOR 33pF,50V
B3005			NRSA02J-0R0X	MG RESISTOR,J587EU/J588EU/J589EU 0Ω,1/10W	C94			NRSA02J-0R0X	MG RESISTOR 0Ω,1/10W
B5302			QUY153-050Y	IM BUS WIRE	C106			NCB21HK-821X	CAPACITOR 820pF,50V
B6701			NRSA02J-0R0X	MG RESISTOR 0Ω,1/10W	C108			NDC21HJ-680X	CAPACITOR 68pF,50V
B7002			NRSA02J-0R0X	MG RESISTOR 0Ω,1/10W	C109			NCB21CK-224X	CAPACITOR 0.22μF,16V
B7005			NRSA02J-0R0X	MG RESISTOR 0Ω,1/10W	C110			NDC21HJ-820X	CAPACITOR 82pF,50V
B7006			NRSA02J-0R0X	MG RESISTOR 0Ω,1/10W	C114			NDC21HJ-181X	CAPACITOR,J580EK/EU,J581EU/J587EU/J588EU/J589EU 180pF,50V
B7009			NRSA02J-0R0X	MG RESISTOR 0Ω,1/10W	C204			NCB21HK-103X	CAPACITOR,J580EK/EU,J581EU 0.01μF,50V
B7109			NRSA02J-0R0X	MG RESISTOR,J580EK/EU,J581EU 0Ω,1/10W				NDC21HJ-100X	CAPACITOR,J587EU/J588EU/J589EU 10pF,50V
B7110			QUY160-100Y	IM BUS WIRE,J580EK/EU,J581EU	C206			NDC21HJ-330X	CAPACITOR 33pF,50V
B7111			NRSA02J-0R0X	MG RESISTOR,J580EK/EU,J581EU 0Ω,1/10W	C207			NDC21HJ-330X	CAPACITOR 33pF,50V
B7112			NRSA02J-0R0X	MG RESISTOR,J580EK/EU,J581EU 0Ω,1/10W	C209			NCB21CK-474X	CAPACITOR 0.47μF,16V
B7113			NRSA63J-0R0X	MG RESISTOR,J580EK/EU,J581EU 0Ω,1/16W	C212			NCB21EK-104X	CAPACITOR,J587EU/J588EU/J589EU 0.1μF,25V
B7115			QUY153-050Y	IM BUS WIRE,J580EK/EU,J581EU	C213			QERF1HM-475	E CAPACITOR,J587EU/J588EU/J589EU 4.7μF,50V
B7118			NRSA02J-0R0X	MG RESISTOR 0Ω,1/10W	C214			NCB21CK-224X	CAPACITOR 0.22μF,16V
B7119			QUY153-050Y	IM BUS WIRE,J580EK/EU,J581EU	C215			NCB21CK-224X	CAPACITOR,J587EU/J588EU/J589EU 0.22μF,16V
B7120			NRSA02J-0R0X	MG RESISTOR,J587EU/J588EU/J589EU 0Ω,1/10W	C216			QERF1AM-227	E CAPACITOR,J587EU/J588EU/J589EU 220μF,10V
C1			NCB21HK-103X	CAPACITOR 0.01μF,50V	C217			NDC21HJ-560X	CAPACITOR 56pF,50V
C2			NCB21HK-103X	CAPACITOR 0.01μF,50V	C218			NCB21CK-105X	CAPACITOR 1μF,16V
C3			NCB21HK-103X	CAPACITOR 0.01μF,50V	C222			QERF1HM-105	E CAPACITOR 1μF,50V
C4			NCB21HK-103X	CAPACITOR 0.01μF,50V	C226			QERF0JM-107	E CAPACITOR 100μF,6.3V
C5			QEKJ0JM-227	E CAPACITOR 220μF,6.3V	C2001			QEKJ1HM-475	E CAPACITOR 4.7μF,50V
C6			NCB21EK-104X	CAPACITOR 0.1μF,25V	C2002			QEKJ1EM-106	E CAPACITOR 10μF,25V
C8			NCB21EK-473X	CAPACITOR 0.047μF,25V	C2003			QEKJ0JM-476	E CAPACITOR 47μF,6.3V
C10			NDC21HJ-151X	CAPACITOR 150pF,50V	C2005			QEKJ1HM-475	E CAPACITOR 4.7μF,50V
C11			NCB21EK-104X	CAPACITOR 0.1μF,25V	C2006			NCB21HK-123X	CAPACITOR 0.012μF,50V

#	△ REF No.	PART No.	PART NAME, DESCRIPTION	#	△ REF No.	PART No.	PART NAME, DESCRIPTION
C2007		QEKJ1CM-226	E CAPACITOR 22μF,16V	C3045		NDC21HJ-101X	CAPACITOR 100pF,50V
C2008		QEKJ1HM-475	E CAPACITOR 4.7μF,50V	C3050		NCF21EZ-104X	CAPACITOR 0.1μF,25V
C2009		NCB21HK-102X	CAPACITOR 0.001μF,50V	C3051		NCB21EK-104X	CAPACITOR,J587EU/J588EU/J589EU 0.1μF,25V
C2010		NCB21HK-152X	CAPACITOR 0.0015μF,50V	C3101		QER61CM-106	E CAPACITOR 10μF,16V
C2011		QEKJ1HM-475	E CAPACITOR 4.7μF,50V	C4002		QDYB1CM-103Y	CAPACITOR 0.01μF,16V
C2012		QEKJ1HM-475	E CAPACITOR 4.7μF,50V	C4003		NCB21HK-102X	CAPACITOR 0.001μF,50V
C2016		NDC21HJ-330X	CAPACITOR 33pF,50V	C4004		QERF1CM-226	E CAPACITOR 22μF,16V
C2051		NCB21HK-331X	CAPACITOR 330pF,50V	C4005		NCB21HK-222X	CAPACITOR 0.0022μF,50V
C2052		QFLC1HJ-823Z	F CAPACITOR 0.082μF,50V	C4006		QERF0JM-476	E CAPACITOR 47μF,6.3V
C2053		NCB21HK-472X	CAPACITOR 0.0047μF,50V	C4008		QEZF1HM-105	NP E CAPACITOR 1μF,50V
C2054		NCB21EK-223X	CAPACITOR 0.022μF,25V	C4009		NCB21HK-563X	CAPACITOR 0.056μF,50V
C2055		QEKJ1EM-106	E CAPACITOR 10μF,25V	C4010		NCB21EK-223X	CAPACITOR 0.022μF,25V
C2201		NCB21EK-104X	CAPACITOR 0.1μF,25V	C4011		NCB21EK-104X	CAPACITOR 0.1μF,25V
C2202		NCB21EK-333X	CAPACITOR 0.033μF,25V	C4012		QERF1HM-105	E CAPACITOR 1μF,50V
C2203		QEKJ1EM-106	E CAPACITOR 10μF,25V	C4013		NCB21HK-563X	CAPACITOR 0.056μF,50V
C2204		NCB21HK-102X	CAPACITOR 0.001μF,50V	C4014		NDC21HJ-101X	CAPACITOR 100pF,50V
C2205		QEKJ1HM-105	E CAPACITOR 1μF,50V	C4015		NCB21HK-102X	CAPACITOR 0.001μF,50V
C2206		QEKJ1EM-106	E CAPACITOR 10μF,25V	C4016		NDC21HJ-101X	CAPACITOR 100pF,50V
C2207		QEKJ1CM-476	E CAPACITOR 47μF,16V	△ C5001		QFZ9073-683	F CAPACITOR 0.068μF,250V
C2208		QEKJ1HM-475	E CAPACITOR 4.7μF,50V	△ C5002		QFZ9051-333	F CAPACITOR 0.033μF,250V
C2215		QEKJ1HM-475	E CAPACITOR 4.7μF,50V	△ C5004		QCZ9071-222	CAPACITOR 0.0022μF,250V
C2217		QEKJ1EM-106	E CAPACITOR 10μF,25V	C5006		QEZ0375-686	E CAPACITOR 68μF,400V
C2219		QEKJ1EM-106	E CAPACITOR 10μF,25V	C5101		QCZ0212-472	CAPACITOR 0.0047μF,1kV
C2220		QEKJ1HM-475	E CAPACITOR 4.7μF,50V	C5102		QCZ0302-330Z	CAPACITOR 33pF,1kV
C2221		NCB21HK-103X	CAPACITOR 0.01μF,50V	C5104		QEKJ1HM-105	E CAPACITOR 1μF,50V
C2222		QEKJ1HM-474	E CAPACITOR 0.47μF,50V	C5105		QFN31HJ-183	F CAPACITOR 0.018μF,50V
C2223		QEKJ1HM-474	E CAPACITOR 0.47μF,50V	C5106		QCB1HJ-271	CAPACITOR 270pF,50V
C2224		NCB21HK-103X	CAPACITOR 0.01μF,50V	C5107		QFV91HJ-104	F CAPACITOR 0.1μF,50V
C2225		QEKJ1HM-475	E CAPACITOR 4.7μF,50V	C5202		QEMT1CM-687	E CAPACITOR 680μF,16V
C2226		QEKJ1EM-106	E CAPACITOR 10μF,25V	C5203		QEMT1AM-128	E CAPACITOR 1200μF,10V
C2227		NCB21EK-104X	CAPACITOR 0.1μF,25V	C5204		QETN2AM-475	E CAPACITOR 4.7μF,100V
C2228		NCB21EK-104X	CAPACITOR 0.1μF,25V	C5206		QETN1AM-476	E CAPACITOR 47μF,10V
C2229		NCB21HK-331X	CAPACITOR,J580EK/EU,J581EU 330pF,50V	C5207		QETN1CM-107	E CAPACITOR 100μF,16V
C2230		NCB21HK-331X	CAPACITOR,J580EK/EU,J581EU 330pF,50V	C5301		QEKJ1CM-107	E CAPACITOR 100μF,16V
C2251		QEKJ0JM-476	E CAPACITOR 47μF,6.3V	C5302		QETJ1CM-107	E CAPACITOR 100μF,16V
C2252		QDYB1CM-103Y	CAPACITOR 0.01μF,16V	C5303		QEKJ1CM-107	E CAPACITOR 100μF,16V
C2253		NCB21HK-103X	CAPACITOR 0.01μF,50V	C5304		QFLC1HJ-102Z	F CAPACITOR 0.001μF,50V
C2254		NCB21HK-103X	CAPACITOR 0.01μF,50V	C5305		QFV91HJ-154	F CAPACITOR 0.15μF,50V
C2255		NDC21HJ-181X	CAPACITOR 180pF,50V	C6005		QETJ1HM-106	E CAPACITOR 10μF,50V
C3001		NCF21EZ-104X	CAPACITOR 0.1μF,25V	C6007		QEKJ0JM-227	E CAPACITOR 220μF,6.3V
C3002		NCB21HK-103X	CAPACITOR 0.01μF,50V	C6012		QEKJ1AM-107	E CAPACITOR 100μF,10V
C3003		QEKJ1HM-106	E CAPACITOR 10μF,50V	C6013		NCB21HK-103X	CAPACITOR 0.01μF,50V
C3004		NCB21EK-473X	CAPACITOR 0.047μF,25V	C6016		NCB21HK-103X	CAPACITOR 0.01μF,50V
C3011		QETL0JM-338	E CAPACITOR 3300μF,6.3V	C6023		NRSA02J-0R0X	MG RESISTOR 0Ω,1/10W
C3012		QEKJ0JM-476	E CAPACITOR 47μF,6.3V	C6027		NCB21HK-103X	CAPACITOR 0.01μF,50V
C3014		QERF0JM-476	E CAPACITOR 47μF,6.3V	C6032		NCB21EK-473X	CAPACITOR 0.047μF,25V
C3016		NCB21EK-473X	CAPACITOR 0.047μF,25V	C6037		QEKJ1CM-106	E CAPACITOR 10μF,16V
C3022		NCB21EK-473X	CAPACITOR 0.047μF,25V	C6056		QCSB1HJ-470	CAPACITOR,J580EK/EU,J581EU 47pF,50V
C3024		NDC21HJ-120X	CAPACITOR,J580EK/EU,J581EU 12pF,50V	C6701		NRSA02J-0R0X	MG RESISTOR 0Ω,1/10W
		NDC21HJ-220X	CAPACITOR,J587EU/J588EU/J589EU 22pF,50V	C6704		NCB21HK-103X	CAPACITOR 0.01μF,50V
C3025		QAT3725-300Z	TRIM CAPACITOR,TIMER CLOCK,J580EK/EU,J581EU	C6707		NDC21HJ-470X	CAPACITOR 47pF,50V
C3026		NCB21HK-103X	CAPACITOR 0.01μF,50V	C6708		NDC21HJ-8R0X	CAPACITOR 8pF,50V
C3027		QEKJ1CM-106	E CAPACITOR 10μF,16V	C6709		NDC21HJ-2R0X	CAPACITOR 2pF,50V
C3030		QEKJ0JM-476	E CAPACITOR 47μF,6.3V	C6713		NCF21CZ-224X	CAPACITOR 0.22μF,16V
C3031		NCB21EK-473X	CAPACITOR 0.047μF,25V	C6714		NCB21HK-682X	CAPACITOR 0.0068μF,50V
C3032		NCB21EK-473X	CAPACITOR 0.047μF,25V	C6715		QEKJ1HM-225	E CAPACITOR 2.2μF,50V
C3033		NCB21EK-473X	CAPACITOR 0.047μF,25V	C6716		NCB21HK-682X	CAPACITOR 0.0068μF,50V
C3036		NDC21HJ-180X	CAPACITOR 18pF,50V	C6717		QEKJ1HM-225	E CAPACITOR 2.2μF,50V
C3037		NDC21HJ-120X	CAPACITOR 12pF,50V	C6719		QEKJ1EM-106	E CAPACITOR 10μF,25V
C3040		NCB21EK-473X	CAPACITOR 0.047μF,25V	C6720		QEKJ1EM-106	E CAPACITOR 10μF,25V
C3041		NDC21HJ-100X	CAPACITOR,J580EK 10pF,50V	C6721		NCB21HK-103X	CAPACITOR 0.01μF,50V

#	△	REF No.	PART No.	PART NAME, DESCRIPTION	#	△	REF No.	PART No.	PART NAME, DESCRIPTION
C6723			NCB21HK-103X	CAPACITOR 0.01μF,50V	L204			QUY153-050Y	IM BUS WIRE,J587EU/J588EU/J589EU
C7001			NCB21HK-103X	CAPACITOR 0.01μF,50V	L206			QQL071J-220Y	COIL 22μH
C7002			QEKJ0JM-476	E CAPACITOR 47μF,6.3V	L207			QUY153-050Y	IM BUS WIRE
C7011			QEKJ0JM-227	E CAPACITOR 220μF,6.3V	L2001			QUY153-050Y	IM BUS WIRE
C7012			NCB21HK-103X	CAPACITOR 0.01μF,50V	L2251			QQL29BJ-100Z	COIL 10μH
C7103			NCB21HK-681X	CAPACITOR 680pF,50V	L2252			QQL29BJ-151Z	COIL 150μH
C7104			NCB21HK-681X	CAPACITOR 680pF,50V	L3101			QQL29BJ-100Z	COIL 10μH
C7117			QETN0JM-477	E CAPACITOR,J580EK/EU,J581EU 470μF,6.3V	L5201			PELN1184	COIL 33μH
			QUY153-050Y	IM BUS WIRE,J587EU/J588EU/J589EU	L5202			PELN1184	COIL 33μH
C7119			NCB21HK-471X	CAPACITOR 470pF,50V	L6001			QQL29BK-1R0Z	COIL 1μH
C7120			NCB21HK-471X	CAPACITOR 470pF,50V	L6003			QQL29BJ-470Z	COIL 47μH
C7128			QEKJ1CM-107	E CAPACITOR 100μF,16V	L7101			NRSA02J-0R0X	MG RESISTOR 0Ω,1/10W
C7129			NCB31CK-104X	CAPACITOR 0.1μF,16V	L7102			NRSA02J-0R0X	MG RESISTOR,J580EK/EU,J581EU 0Ω,1/10W
C7131			QUY153-050Y	IM BUS WIRE				NQL092M-R22X	COIL,J587EU/J588EU/J589EU 0.22μH
C7132			QETN1CM-107	E CAPACITOR 100μF,16V	L7105			QQL231J-1R0Y	COIL,J587EU/J588EU/J589EU 1μH
C7133			NCB21HK-103X	CAPACITOR 0.01μF,50V	L7106			QQL231J-1R0Y	COIL,J587EU/J588EU/J589EU 1μH
C7134			NCB31CK-473X	CAPACITOR,J587EU/J588EU/J589EU 0.047μF,16V	L7107			QQL01BJ-100Z	COIL 10μH
C7135			NCB31CK-473X	CAPACITOR,J587EU/J588EU/J589EU 0.047μF,16V	L7108			QUY153-050Y	IM BUS WIRE,J587EU/J588EU/J589EU
C7136			NCB31CK-473X	CAPACITOR,J587EU/J588EU/J589EU 0.047μF,16V	L7109			QQL231J-R22Y	COIL,J587EU/J588EU/J589EU 0.22μH
C7137			NDC21HJ-330X	CAPACITOR,J587EU/J588EU/J589EU 33pF,50V	L7201			QQL01BJ-101Z	COIL,J587EU/J588EU/J589EU 100μH
C7138			QEKJ1EM-106	E CAPACITOR,J587EU/J588EU/J589EU 10μF,25V	X1			QAX0576-001Z	CRYSTAL RESONATOR
C7139			QEKJ1CM-476	E CAPACITOR,J587EU/J588EU/J589EU 47μF,16V	X3001			QAX0444-001	CRYSTAL RESONATOR,J580EK
C7140			QEKJ1EM-106	E CAPACITOR,J587EU/J588EU/J589EU 10μF,25V				QAX0445-001	CRYSTAL RESONATOR,J580EK/EU,J581EU/J587EU/J588EU
C7141			QEKJ1EM-106	E CAPACITOR,J587EU/J588EU/J589EU 10μF,25V	X3002			QAX0527-001	CRYSTAL RESONATOR
C7142			QEKJ1EM-106	E CAPACITOR,J587EU/J588EU/J589EU 10μF,25V	X6701			QAX0443-001	CRYSTAL RESONATOR
C7143			QEKJ1EM-106	E CAPACITOR,J587EU/J588EU/J589EU 10μF,25V	S3001			QSW0602-004	PUSH SWITCH,REC SAFETY
C7144			QEKJ1EM-106	E CAPACITOR,J587EU/J588EU/J589EU 10μF,25V	S7001			QSW0456-002Z	TACT SWITCH,STAND-BY
C7145			QEKJ1EM-106	E CAPACITOR,J587EU/J588EU/J589EU 10μF,25V	S7002			QSW0456-002Z	TACT SWITCH,TIMER
C7146			QEKJ1HM-475	E CAPACITOR,J587EU/J588EU/J589EU 4.7μF,50V	S7004			QSW0456-002Z	TACT SWITCH,CH-
C7147			QEKJ1EM-106	E CAPACITOR,J587EU/J588EU/J589EU 10μF,25V	S7006			QSW0456-002Z	TACT SWITCH,CH+
C7148			QEKJ1EM-106	E CAPACITOR,J587EU/J588EU/J589EU 10μF,25V	S7010			QSW0456-002Z	TACT SWITCH,DISPLAY
C7149			QEKJ1HM-475	E CAPACITOR,J587EU/J588EU/J589EU 4.7μF,50V	S7011			QSW0456-002Z	TACT SWITCH,REC
C7150			QEKJ1EM-106	E CAPACITOR,J587EU/J588EU/J589EU 10μF,25V	S7013			QSW0456-002Z	TACT SWITCH,PAUSE
C7151			QEKJ1EM-106	E CAPACITOR,J587EU/J588EU/J589EU 10μF,25V	S7015			QSW0456-002Z	TACT SWITCH,STOP/EJECT
C7152			NCB21EK-473X	CAPACITOR,J587EU/J588EU/J589EU 0.047μF,25V	S7016			QSW0456-002Z	TACT SWITCH,SAT.CTL
C7153			NDC21HJ-330X	CAPACITOR,J587EU/J588EU/J589EU 33pF,50V	K2001			NQL103K-R10X	COIL 0.1μH
C7155			QEKJ1EM-106	E CAPACITOR,J587EU/J588EU/J589EU 10μF,25V	K2002			NQL103K-R10X	COIL 0.1μH
C7168			NCB21HK-681X	CAPACITOR 680pF,50V	K2003			NQL103K-R10X	COIL 0.1μH
C7169			NCB21HK-681X	CAPACITOR 680pF,50V	K2004			NQL103K-R10X	COIL 0.1μH
C7170			NCB21HK-821X	CAPACITOR 820pF,50V	K2251			NRSA02J-0R0X	MG RESISTOR 0Ω,1/10W
C7171			NCB21HK-821X	CAPACITOR 820pF,50V	K2252			NRSA02J-0R0X	MG RESISTOR 0Ω,1/10W
C7172			NDC21HJ-101X	CAPACITOR,J587EU/J588EU/J589EU 100pF,50V	K2253			NRSA02J-0R0X	MG RESISTOR 0Ω,1/10W
C7173			NDC21HJ-101X	CAPACITOR,J587EU/J588EU/J589EU 100pF,50V	K5101			QQR0678-001Z	FERRITE BEAD
C7174			NCB21HK-681X	CAPACITOR 680pF,50V	K5102			QQR0678-001Z	FERRITE BEAD
C7175			NCB21HK-681X	CAPACITOR 680pF,50V	K6080			NRSA02J-102X	MG RESISTOR,J587EU/J588EU/J589EU 1kΩ,1/10W
C7202			QETJ0JM-477	E CAPACITOR,J587EU/J588EU/J589EU 470μF,6.3V	K6701			NQR0200-003X	FERRITE BEAD
L1			QQL29BJ-100Z	COIL 10μH	K6702			NQR0200-003X	FERRITE BEAD
L2			QUY153-050Y	IM BUS WIRE	K6703			NQR0200-003X	FERRITE BEAD
L3			QQL29BJ-100Z	COIL 10μH	K6704			NQR0200-003X	FERRITE BEAD
L4			QQL29BJ-100Z	COIL 10μH	K6705			NQR0200-003X	FERRITE BEAD
L5			QQL29BJ-100Z	COIL 10μH	K6706			NQR0200-003X	FERRITE BEAD
L12			QQR0967-001	COIL 12μH	K7001			NQR0403-003X	FERRITE BEAD,J587EU/J588EU/J589EU
L13			QQL071J-330Y	COIL 33μH	PC3001			GP3S123	IC(PHOTO SENSOR)
L22			QQL231J-1R0Y	COIL 1μH	PC3002			GP3S123	IC(PHOTO SENSOR)
L24			QQL071J-270Y	COIL 27μH	△ PC5101			PS2561L1-1/L/	IC(PHOTO COUPLER)
L27			QQL071J-330Y	COIL 33μH	T2051			PELN0832	OSC TRANSFORMER
L28			QQL071J-680Y	COIL 68μH	△ T5001			QQS0083-001	SW TRANSFORMER
L201			QQL29BK-1R0Z	COIL 1μH	ET1			PQ21623-2-5	EARTH PLATE(RF)
L202			QQL071J-330Y	COIL,J587EU/J588EU/J589EU 33μH	HS1			LP40090-001A	HEAT SINK,Q5101
			QUY153-050Y	IM BUS WIRE,J580EK/EU,J581EU	DI7001			LTG-Y2K16M-J	LE DIODE
L203			QQL29BJ-220Z	COIL 22μH	△ TB1			LP20317-008A	TERMINAL BOARD(PAL),J580EK/EU,J581EU

#	△ REF No.	PART No.	PART NAME, DESCRIPTION
△		LP20317-005A	TERMINAL BOARD(PAL),J587EU/J588EU/J589EU
	TU6001	QAU0208-001	TUNER
	FC5001	QNG0006-001Z	FUSE CLIP,F5001
	FC5002	QNG0006-001Z	FUSE CLIP,F5001
	OT1	QYTDST3006Z	SCREW,Q5101
	OT2	PU59915-105	#500SPACER0.01,R6056,J580EK/EU,J581EU
	OT3	PU59915-105	#500SPACER0.01,C6056,J580EK/EU,J581EU
	SD1	LP21033-001A	SHIELD CASE(PRE)
	J7101	PEMC1104	RGB21PIN SOCKET,AV1
	J7102	PEMC1104	RGB21PIN SOCKET,AV2,J587EU/J588EU,J589EU
	J7103	QNN0292-003	PIN JACK
	J7107	PU60612	MINI JACK
△	LF5001	PELN1204-01-01	LINE FILTER
△	LF5002	QQR0978-001	LINE FILTER
	CN1	QGF1028C1-11	FPC CONNECTOR,(1-11)U.DRUM
	CN2001	QGF1207C1-07	FPC CONNECTOR,(1-7)A/C HEAD
	CN2002	QGB2532J1-02	CONNECTOR,(1-2)FE HEAD
	CN3001	QGF1207C1-05	FPC CONNECTOR,(1-5)DRUM MDA
	CN3002	QGB2532J1-02	CONNECTOR,(1-2)LOADING MOTOR
	CN3003	QGB2015M2-08	CONNECTOR,(1-8)CAPSTAN MOTOR
	CN3004	QGB2534J2-04	CONNECTOR,(1-4)ROTARY ENCODER
△	CN5001	QGA7901C3-02	CONNECTOR,(1-2)AC IN
	CN7001	QGF1207C1-09	FPC CONNECTOR,(1-9)FRONT
	CN7104	QUM022-18A4A4	PARA RIBON WIRE
△	CP4001	ICP-N25	CIRCUIT PROTECTOR
△	CP5302	ICP-N25	CIRCUIT PROTECTOR
△	F5001	QMF51E2-2R0J1	FUSE T2.0A,AC250V

#	△ REF No.	PART No.	PART NAME, DESCRIPTION
---	-----------	----------	------------------------

MINI FRONT BOARD ASSEMBLY <28>

PW1	LPA20005-01A	MINI FRONT BOARD ASSY	
R7043	QRE141J-272Y	RESISTOR	2.7kΩ,1/4W
R7044	QRE141J-472Y	RESISTOR	4.7kΩ,1/4W
R7045	QRE141J-682Y	RESISTOR	6.8kΩ,1/4W
S7021	QSW0456-002Z	TACT SWITCH,REW	
S7022	QSW0456-002Z	TACT SWITCH,FF	
S7023	QSW0456-002Z	TACT SWITCH,PLAY	
CN7002	QGF1208C1-09	FPC CONNECTOR,(1-9)MAIN	

